

Hydromist 10 Parts List

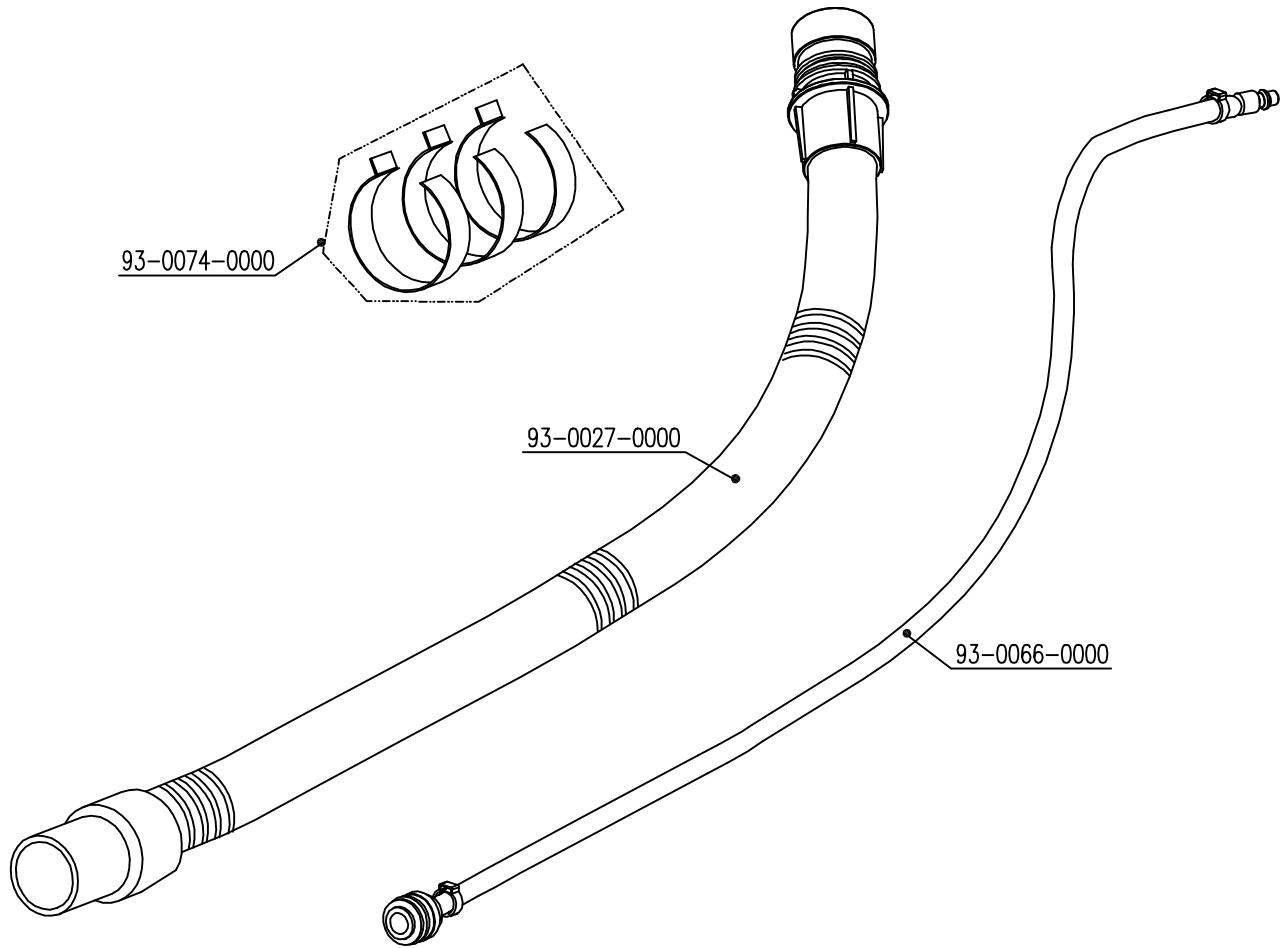
Model Ref.: HM10 Series B

Service Parts List Issue 2

23rd March 2010

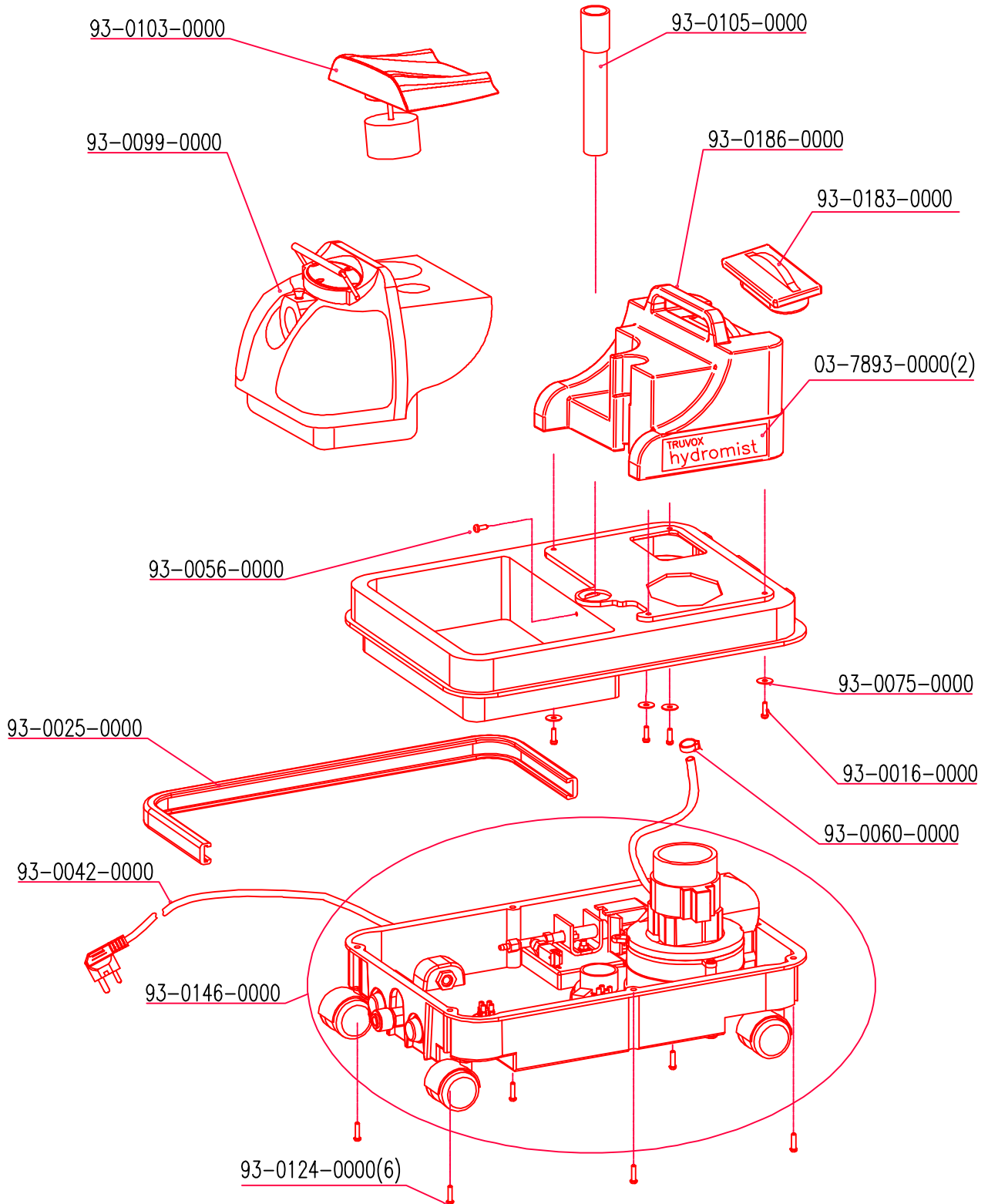
Part No.	Description	Qty
93-0001-0000	Label (Vacuum)	1
93-0002-0000	Label (Spray)	1
93-0014-0000	Vacuum motor	1
93-0021-0000	Water feed hose coupling flat washer	1
93-0025-0000	Bumper strip	1
93-0028-0000	Switch (Pump / Vacuum)	2
93-0033-0000	Magnetic pump	1
93-0182-0000	Exhaust moulding (Black RAL9005)	1
93-0042-0000	Mains lead fitted with UK Plug	1
93-0057-0000	Straight water feed connection	1
93-0058-0000	Water feed hose coupling	1
93-0078-0000	Magnetic pump and pressure switch wiring kit	1
93-0183-0000	Solution tank cover (Black RAL9005)	1
93-0184-0000	Base moulding top cover (Black RAL9005)	1
93-0185-0000	Base moulding bottom cover (Black RAL9005)	1
93-0105-0000	Airflow inlet pipe	1
93-0116-0000	10 Litre castor kit (4off castors)	1
93-0119-0000	Hydromist Base moulding fastener kit	1
93-0126-0000	Magnetic pump hose kit	1
93-0147-0000	Pressure switch	1
93-0148-0000	Magnetic pump to pressure switch connecting kit	1
93-0149-0000	HM10 Wiring kit	1
93-0140-0000	Polyethylene floor tool with stainless steel tube	1
93-0103-0000	Recovery tank lid assembly (Includes the following parts)	1
93-0084-0000	Recovery tank lid filter shaft	1
93-0085-0000	Recovery tank lid gauze 5/10E stainless steel	1
93-0086-0000	Recovery tank lid foam float	1
93-0087-0000	Recovery tank lid M5 Nylon nut	1
93-0095-0000	Recovery tank lid	1
93-0097-0000	Recovery tank lid gasket	1
93-0099-0000	10 Litre Recovery tank assembly (Includes the following parts)	1
03-7874-0000	Recovery tank inlet cover	1
03-7893-0000	Recovery tank inlet cover seal	1
93-0071-0000	M5x14 F ZN Screw	4
93-0089-0000	Vacuum hose securing pin	1
93-0092-0000	10 Litre Recovery tank	1
93-0107-0000	Recovery tank handle assembly	1
93-0186-0000	10 Litre Solution tank assembly (Black RAL9005) (Includes the following parts)	1
93-0022-0000	Solution tank filter	1
93-0076-0000	Plastic elbow coupling 1/4 BSPT	1
93-0187-0000	10 Litre Solution tank (Black RAL9005)	1
93-0112-0000	Hydromist Label	2
93-0113-0000	Vacuum motor holder assembly (Includes the following parts)	1
93-0020-0000	Rubber washer D.142x78mm EP.4mm	1
93-0030-0000	Vacuum motor holder and gasket	1
93-0125-0000	Hydromist 3m hose assembly (Includes the following parts)	1
93-0027-0000	3m Vacuum hose assembly	1
93-0066-0000	3m Spray hose assembly	1
93-0074-0000	Velcro strap 3off	1

Truvox International Ltd.,
 Third Avenue, Millbrook,
 Southampton. Hampshire.
 SO15 0LE.
 Service & Spares: 023 80706601
 Customer Services: 023 80706600
 General Enquiries: 023 80702200



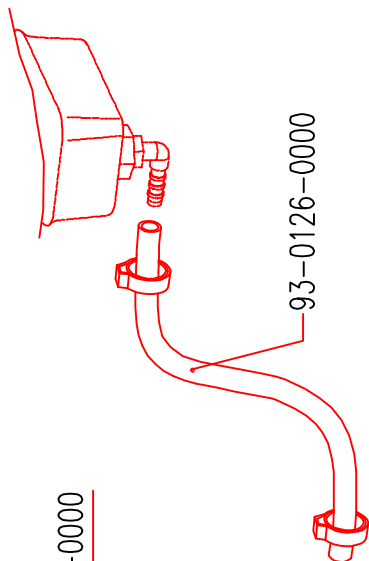
					SCALE	NTS		TITLE		
					CHECKED	M.D.C.		HYDROMIST 3M HOSE ASSEMBLY		
10.11.05		A	NEW DRAWING	MC	DRN	MC		PRODUCT	DRAWING/PART No	
DATE	CRO No	ISS	REVISION RECORD	DR	CHK			HM10,10HD & 20HD	93-0125-0000	
									A4	SHEET 1 OF 1 SHEETS

Truvox International Ltd.,
 Third Avenue, Millbrook,
 Southampton. Hampshire.
 SO15 0LE.
 Service & Spares: 023 80706601
 Customer Services: 023 80706600
 General Enquiries: 023 80702200

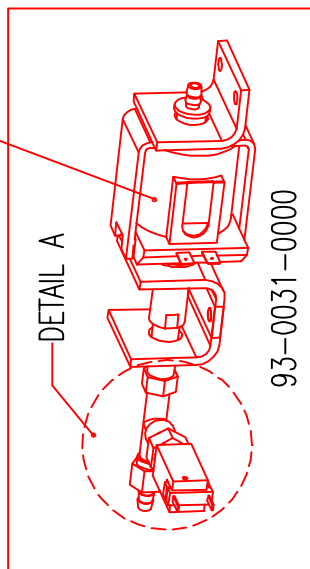


					SCALE	NTS	TITLE			
23.03.10		B	COLOUR CHANGE	MC	MC	CHECKED	BASIC UNIT 10L MAGNET 230V			
10.11.05		A	NEW DRAWING	MC	MC	M.D.C.	PRODUCT	DRAWING/PART No	A4	SHEET 1 OF 1 SHEETS
DATE	CRO No	ISS	REVISION RECORD	DR	CHK	M.D.C.	HM10	93-0109-0000		

Truvox International Ltd.,
 Third Avenue, Millbrook,
 Southampton. Hampshire.
 SO15 0LE.
 Service & Spares: 023 80706601
 Customer Services: 023 80706600
 General Enquiries: 023 80702200

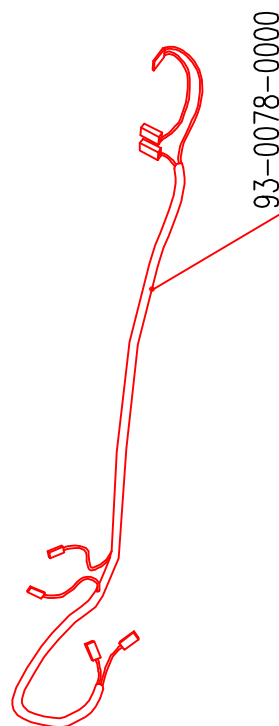


93-0033-0000

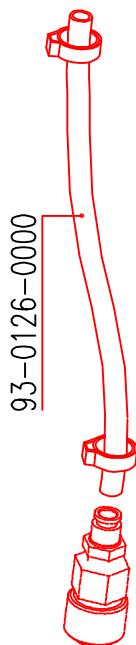


DETAIL A

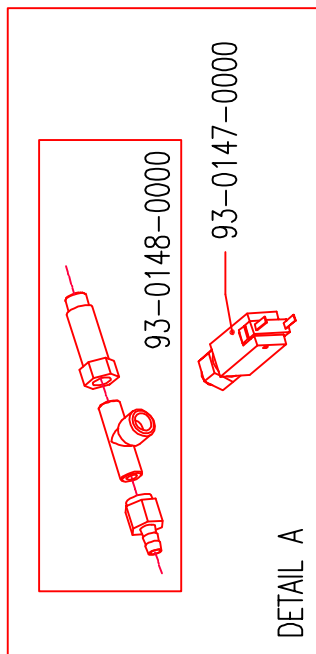
93-0031-0000



93-0078-0000



93-0126-0000



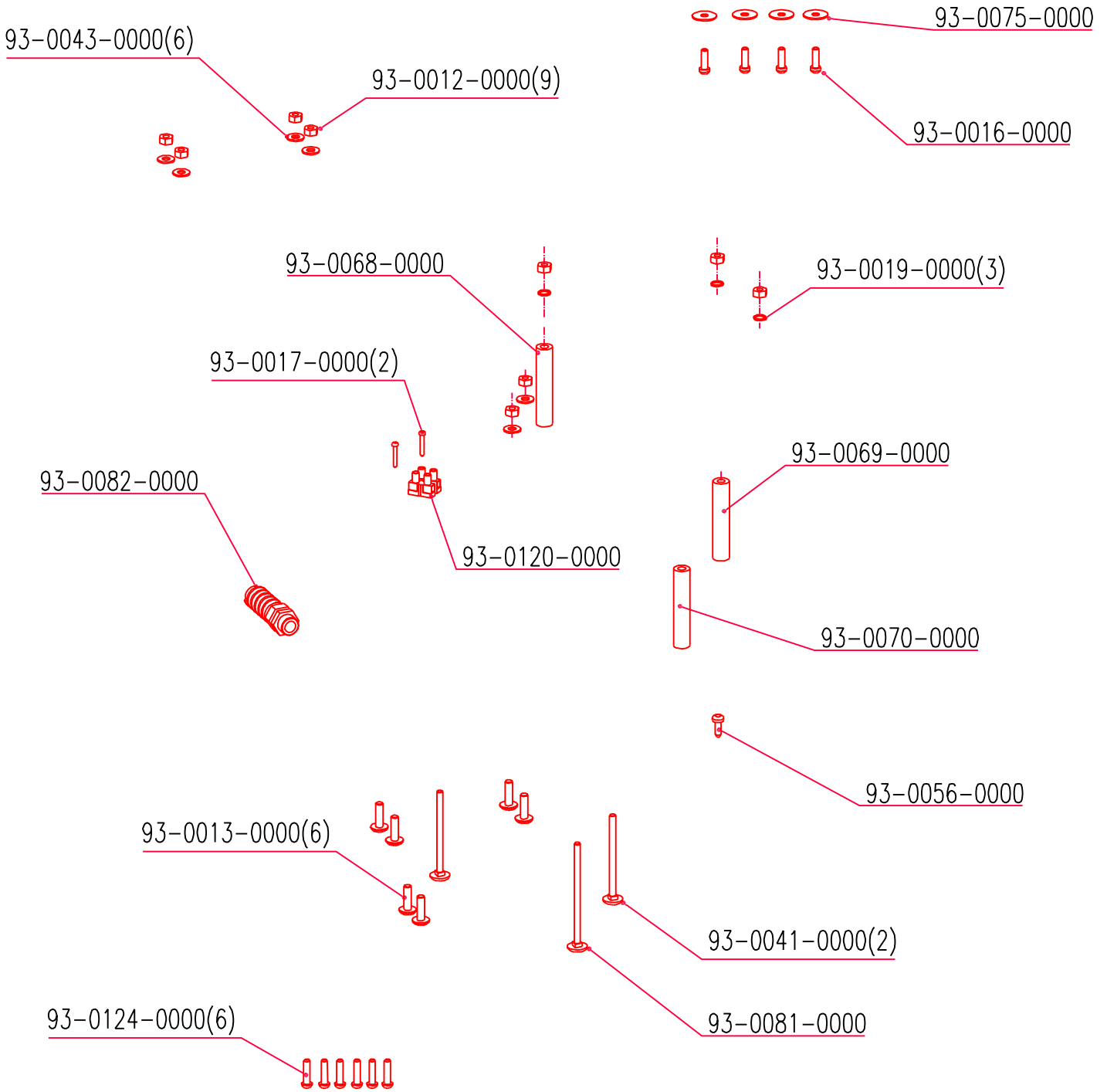
93-0148-0000

93-0147-0000

DETAIL A

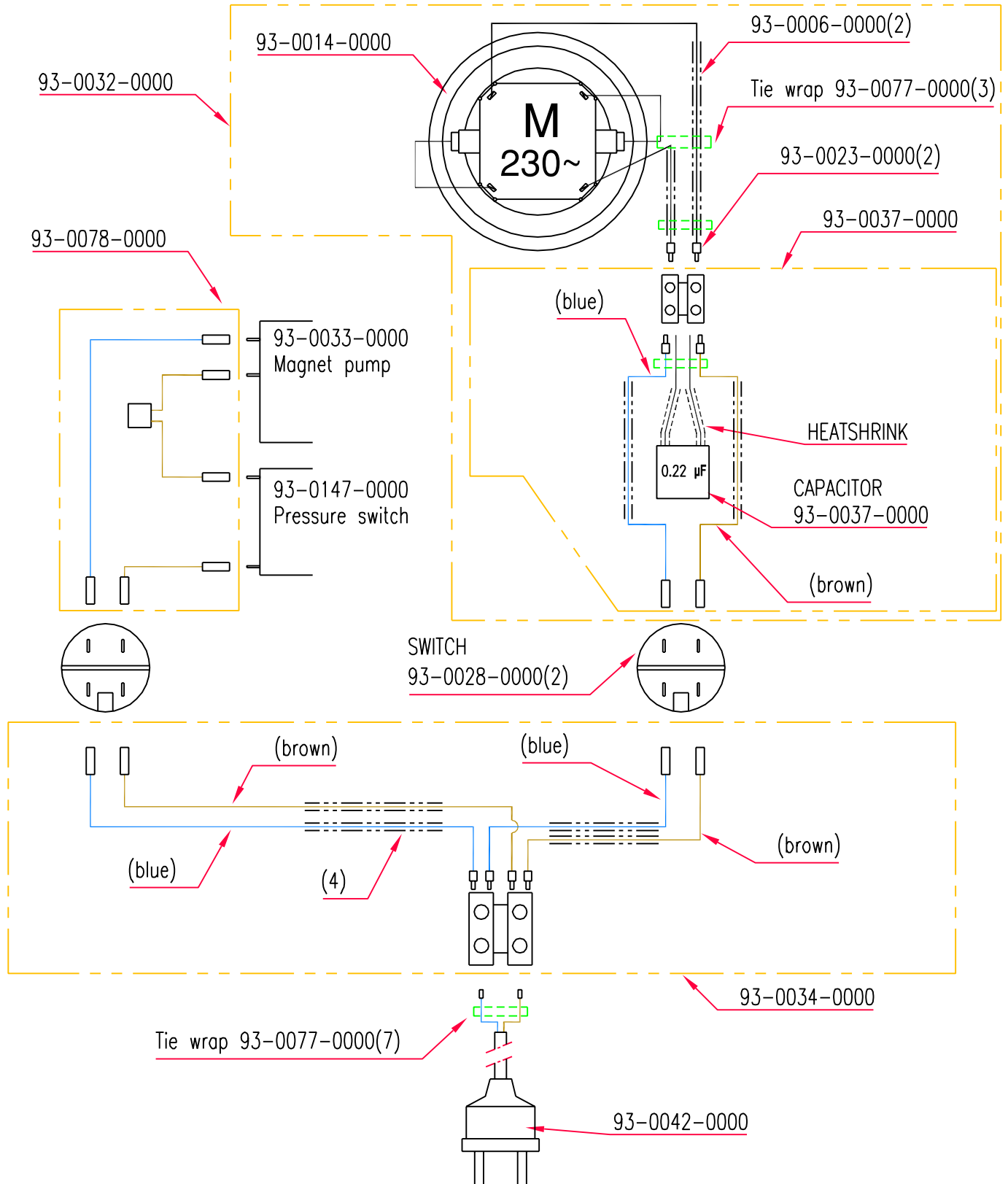
					SCALE NTS	TITLE BASE HYDROMIST 10 L MAGNETIC PUMP ASS.				
23.03.10		B	COLOUR CHANGE	MC	MC	CHECKED M.D.C.	PRODUCT HM10	DRAWING/PART No 93-0146-0000-2	A4	SHEET 2 OF 2 SHEETS
10.11.05		A	NEW DRAWING	MC	MC	DRN M.D.C.				
DATE	CRO No	ISS	REVISION RECORD	DR	CHK					

Truvox International Ltd.,
 Third Avenue, Millbrook,
 Southampton. Hampshire.
 SO15 0LE.
 Service & Spares: 023 80706601
 Customer Services: 023 80706600
 General Enquiries: 023 80702200



					SCALE NTS	TITLE HYDROMIST BASE MOULDING FASTENER KIT		
					CHECKED M.D.C.	PRODUCT	DRAWING/PART No	A4 SHEET 1 OF 1 SHEETS
10.11.05		A	NEW DRAWING	MC MC	DRN M.D.C.	HM10,10HD & 20HD	93-0119-0000	
DATE	CRO No	ISS	REVISION RECORD	DR	CHK			

Truvox International Ltd.,
 Third Avenue, Millbrook,
 Southampton. Hampshire.
 SO15 0LE.
 Service & Spares: 023 80706601
 Customer Services: 023 80706600
 General Enquiries: 023 80702200



				SCALE NTS	TITLE HYDROMIST HM10 WIRING KIT			
				CHECKED M.D.C.	PRODUCT HM10		DRAWING/PART No 93-0149-0000	
10.11.05	A	NEW DRAWING	MC MC	DRN			A4	SHEET 1 OF 1 SHEETS
DATE	CRO No	ISS	REVISION RECORD	DR	CHK			